

# FLARELESS BITE TYPE FITTINGS

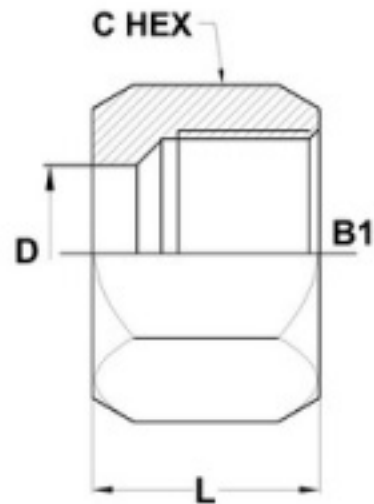
**NUT**

**C0318 SERIES**

SAE# 080110 / MS# 51823



**ORIENT ENGINEERING WORKS**



PART NO. SIZE	TUBE O.D.	THREAD B1	L LGTH	D BORE	C HEX
C0318-02	1/8	5/16-24	0.53	0.130	0.375
C0318-03	3/16	3/8-24	0.61	0.193	0.438
C0318-04	1/4	7/16-20	0.70	0.255	0.562
C0318-05	5/16	1/2-20	0.72	0.318	0.625
C0318-06	3/8	9/16-18	0.75	0.380	0.688
C0318-08	1/2	3/4-16	0.84	0.505	0.875
C0318-10	5/8	7/8-14	0.92	0.631	1.000
C0318-12	3/4	1-1/16-12	0.97	0.756	1.250
C0318-14	7/8	1-3/16-12	1.00	0.881	1.375
C0318-16	1	1-5/16-12	1.05	1.006	1.500
C0318-20	1-1/4	1-5/8-12	1.05	1.260	2.000
C0318-24	1-1/2	1-7/8-12	1.03	1.510	2.250
C0318-32	2	2-1/2-12	1.12	2.014	2.875